

CLI80-48

48V 80AH

Lithium Iron Phosphate

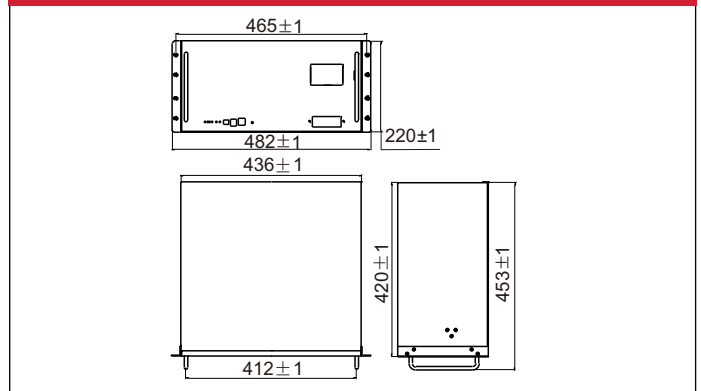
CANBAT

Rechargeable Lithium Iron Phosphate Battery
High Performance **LiFePO4** Technology

CLI80-48



Physical Specification



Characteristic

Item	Specification
Model	CLI80-48
Rated Capacity (5HR)	80 AH
Nominal Voltage	51.2 V
Discharge Ending Voltage	43.2 V
Charging Limited Voltage	57.6 V
Max. Charging Current	50.0 A
Max. Continue Discharging Current	50.0 A
Weight	Approx. 39 Kg
Display	Optional
Parallel Connection	Parallel connection is supported up to 16P with a maximum charging current of 10A
Dimensions (W*D*H) mm (inches)	436 (17.17") * 420 (16.54") * 220 (8.66")
Containing Cell	3.2V 80AH
Design Life	More than 10 years
Cycle Life	More than 3000 cycles at 80% DOD
IP Class	IP30
Outer Package Material	Coated steel case (battery rack or cabinet is optional)
Operating Temperature	Charging: 0 to +45°C Discharging: -20 to +60°C Storage: -20 to +60°C

Discharge Table

Constant Current Discharge Data (Amperes) at 25°C

Model	Voltage	Time	1 h	2 h	3 h	4 h	5 h	10 h
CLI80-48	End of discharge voltage 43.2 V	/	/	39 A	26.5 A	20 A	16 A	8 A

Constant Power Discharge Data (Watts) at 25°C

Model	Voltage	Time	1 h	2 h	3 h	4 h	5 h	10 h
CLI80-48	End of discharge voltage 43.2 V	/	/	1920 W	1282 W	962 W	770 W	386 W

Model: CLI80-48
Voltage: 51.2V

Capacity: 80Ah
Energy: 4096Wh

www.canbat.com

UN38.3

CE



To ensure safe and efficient operation always refer to the latest edition of our Technical Manual, as published on our website. Canbat Technologies Inc. All rights reserved. All trademarks are the property of their respective owners. All data subject to change without notice. E&O.E