

CLI75-48

48V 75AH

Lithium Iron Phosphate

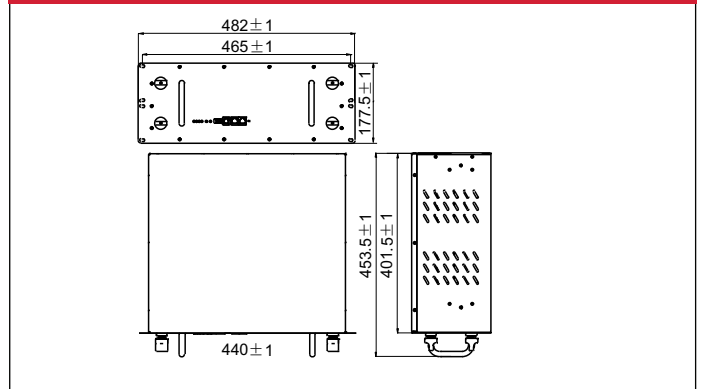
CANBAT

Rechargeable Lithium Iron Phosphate Battery
High Performance **LiFePO4** Technology

CLI75-48



Physical Specification



Characteristic

Item	Specification
Model	CLI75-48
Rated Capacity (5HR)	75 AH
Nominal Voltage	48.0 V
Discharge Ending Voltage	40.5 V
Charging Limited Voltage	54.0 V
Max. Charging Current	50.0 A
Max. Continue Discharging Current	50.0 A
Weight	Approx. 42 Kg
Display	Optional LCD display
Parallel Connection	Parallel connection is supported up to 16P with a maximum charging current of 10A
Dimensions (W*D*H) mm (inches)	440 (17.32") * 401.5 (15.81") * 177.5 (6.99")
Containing Cell	3.2V 75AH
Design Life	More than 10 years
Cycle Life	More than 3000 cycles at 80% DOD
IP Class	IP30
Outer Package Material	Coated steel case (battery rack or cabinet is optional)
Operating Temperature	Charging: 0 to +45°C Discharging: -20 to +60°C Storage: -20 to +60°C

Discharge Table

Constant Current Discharge Data (Amperes) at 25°C

Model	Voltage	Time	Time					
			1 h	2 h	3 h	4 h	5 h	10 h
CLI75-48	End of discharge voltage 43.2 V		45 A	36.5 A	25 A	18.7 A	15 A	7.5 A

Constant Power Discharge Data (Watts) at 25°C

Model	Voltage	Time	Time					
			1 h	2 h	3 h	4 h	5 h	10 h
CLI75-48	End of discharge voltage 43.2 V		2160 W	1708 W	1200 W	900 W	720 W	360 W

Model: CLI75-48
Voltage: 51.2V

Capacity: 75Ah
Energy: 3840Wh

www.canbat.com

UN38.3

CE



To ensure safe and efficient operation always refer to the latest edition of our Technical Manual, as published on our website. Canbat Technologies Inc. All rights reserved. All trademarks are the property of their respective owners. All data subject to change without notice. E&O.E